

◆ ATELIER **FORTVNY** VENEZIA ◆

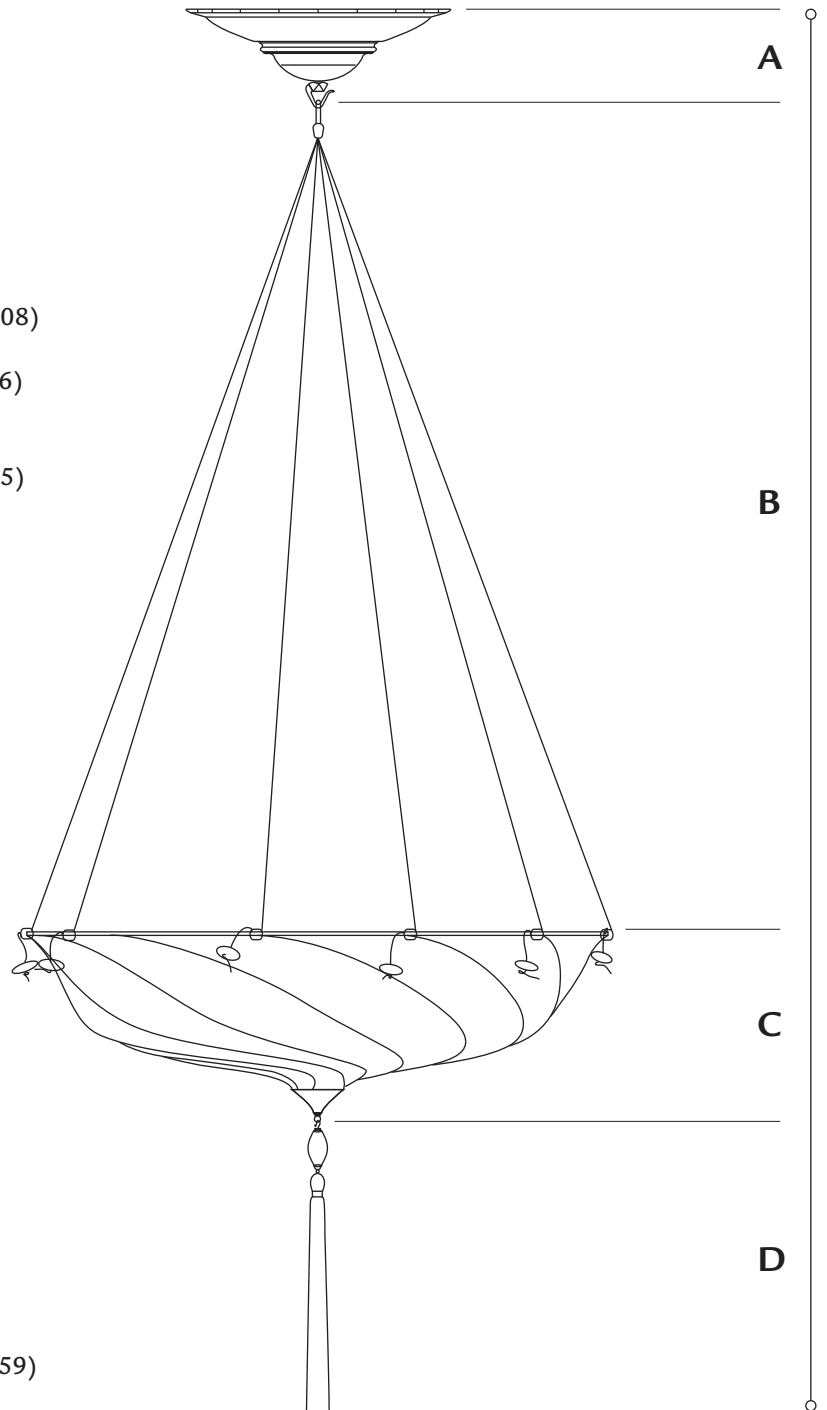
produced & distributed by Venetia Studium S.r.l. San Marco, 2425 . 30124 Venezia - Italy p+39 041 5236953 . info@fortuny.it
www.fortuny.it

FORTVNY SCUDO SARACENO

silk . small size ø 19 3/4 in. (cm 50)

art. 050 SA-1

- A. ceiling attachment** 4 in. (cm 10)
(hook included)
- B. string's standard length** 28 in. (cm 71)
minimum 13 in. (cm 33)
maximum 42 1/2 in. (cm 108)
- C. shade** 6 1/4 in. (cm 16)
(metal tip included)
- D. tassel** 9 7/8 in. (cm 25)



- standard overall height** 48 in. (cm 122)
- minimum** 33 in. (cm 84)
- maximum** 62 5/8 in. (cm 159)

weight lb.2 oz.10 (1,2 kg)

suggested wattage 1 x max 60W

voltage 110/120V: E26 socket . 220/240V: E27 socket

◆ A T E L I E R **FORTVNY** V E N E Z I A ◆

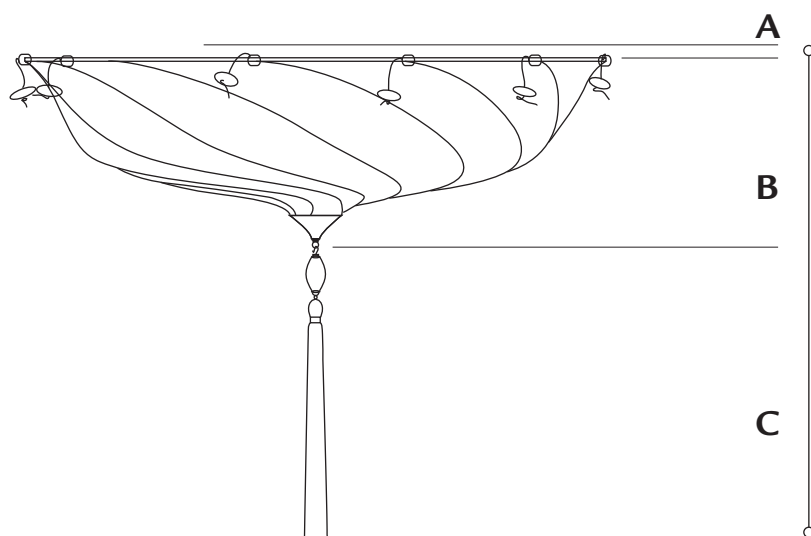
produced & distributed by Venetia Studium S.r.l. San Marco, 2425 . 30124 Venezia - Italy p+39 041 5236953 . info@fortuny.it
www.fortuny.it

FORTVNY SCUDO SARACENO

silk . small size ø 19 3/4 in. (cm 50)

art. 050 SA-2

- A. ceiling attachment** 2 in. (cm. 5)
B. shade 6 1/4 in. (cm. 16)
(metal tip included)
C. tassel 9 7/8 in. (cm. 25)



standard overall height 18 in. (cm 46)

weight lb.3 oz.12 (1,7 kg)

suggested wattage 3 x max 40W

voltage 110/120V: E12 socket . 220/240V: E14 socket